



# Pluto III



**Wide range  
of substrates**



**Tenzomat III  
tension control**



**Automatic features**

The Pluto III slitter rewinder with integrated unwind unit offers mid and wide web printers and converters a cost effective solution for slitting a wide range of substrates. High efficiency is achieved through higher operating speeds, rigid construction and automatic knife positioning system usually available on higher level machines.

**Web width** 1100/1350/1600 mm  
43.3/53.1/63"

**Unwind roll diameter** 1000 mm  
39.4"

**Min. web width** 300 mm  
11.8"

**Unwind roll weight** 1200 kg  
2646 lbs

**Min. slit width** 35 mm/25 mm option  
1.4/1" option

**Rewind roll diameter** 635 mm  
25"

**Speed** 600 m/min  
1968 fpm

**Core diameter** 76.2/152.4  
3/6"

**Processed materials** PP, PET, LDPE, HDPE, laminate, paper



Tenzomat III rewinding tension control 08



Knife/blade positioning assistant 11



Automatic knife/blade positioning system 01, 02



Unwinding tension control 18



Automatic laser core guiding 02



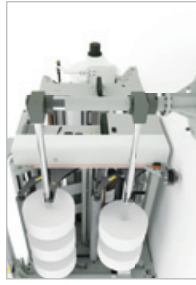
Shaft-less unwind 15



Unloading system



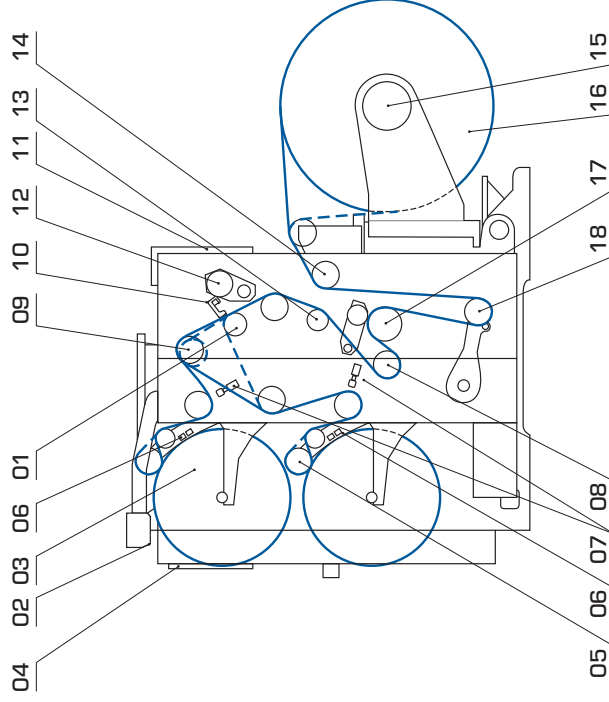
Eccentric roller 09



Simple or hydraulic stand



Strip holders 07



- 01 Female knife shaft
- 02 Laser core guiding (Optional)
- 03 Slit rolls
- 04 Main control panel (Touch screen)
- 05 Lay-on rollers
- 06 Ionisation bars
- 07 Strip holders
- 08 Tensometric roller
- 09 Eccentric roller
- 10 Rod with razor blade holders
- 11 Positioning assistant
- 12 Male knife shaft
- 13 Spreader banana roller
- 14 Adjustable roller
- 15 Shaft-less unwind
- 16 Parent roll
- 17 Main drive roller
- 18 Dancer roller



SOMA spol. s r. o., B. Smetany 380,  
563 01 Lanškroun, Czech Republic

tel +420 465 350 811  
fax +420 465 350 815

e-mail sales@soma.cz  
www.soma-eng.com